

# Product Information and Prices



## Elmasonic xtra TT

Ultrasonic cleaning devices



### Order numbers and list prices

Elmasonic xtra TT	30H	60H	120H	200H
Order number 220 - 240 V~	1076475	1076476	1076477	1076478
Order number 100 - 120 V~	1076479	1076480	1076481	1076482
List price	940,00 €	1.270,00 €	1.920,00 €	2.220,00 €

### Scope of delivery

- Cover made of stainless steel
- Operating manual
- Power cable with rubber connector (2 m length)

All prices ex works, excluding packaging.

Technical specifications serve as orientation values and are subject to tolerances due to production and manufacturing. Proper operation can only be guaranteed when using original Elma accessories.

## Elmasonic xtra TT

### Product features and functions

- |   |
|---|
| ▪ Ultrasonic cleaner including stainless steel lid  |
| ▪ Efficient 37 kHz ultrasonic power transducer  |
| ▪ Cleaning tank made of cavitation-resistant stainless steel  |
| ▪ User-friendly and clearly arranged operating unit, sealed so that no liquid can penetrate the electronics                                       |
| ▪ LED indicators for ultrasonic and heating function  |
| ▪ Rotary switch for convenient preselection of the cleaning time  |
| ▪ Continuous operation or short-time operation adjustable between 1 and 30 minutes  |
| ▪ Permanent sweep function for optimized sound field distribution through frequency modulation  |
| ▪ Switchable Dynamic function increases the ultrasonic peak power. This improves the effectiveness of cleaning to remove even very stubborn dirt. |
| ▪ Dry running safe heating  |
| ▪ Temperature setting with rotary switch selectable from 30 °C to 80 °C in 5 °C steps   |
| ▪ Limit temperature adjustable with warning signal when exceeded  |
| ▪ Automatic safety shutdown after 8 hours of continuous operation and at 90 °C bath temperature   |

## Elmasonic xtra TT

### Technical Data - Mechanics

Elmasonic xtra TT	30H	60H	120H	200H
Recom. operating capacity V <sub>a</sub> (l)	2,0	5,0	10,0	13,0
Unit ext. dimensions W/D/H (mm)	360 / 230 / 250	420 / 250 / 300	440 / 340 / 350	420 / 390 / 330
Tank int. dimensions W <sub>1</sub> /D <sub>1</sub> /H <sub>1</sub> (mm)	240 / 130 / 100	300 / 150 / 150	300 / 240 / 200	320 / 280 / 200
Weight incl. cover (kg)	6,0	10,0	11,0	13,0
Drain hose - ID (mm)	10			

Technical specifications serve as orientation values and are subject to tolerances due to production and manufacturing. Proper operation can only be guaranteed when using original Elma accessories.

## Elmasonic xtra TT

### Technical Data - Electronics and noise levels

Elmasonic xtra TT	30H	60H	120H	200H
Mains voltage (V~)	100 - 120 / 220 - 240			
Mains frequency (Hz)	50 / 60			
Power consumption total (W)	540	550	1000	1500
Ultrasonic power effective $\pm 10\%$ (W)	140	150	200	300
Ultrasonic peak power max.** (W)	560	550	1000	1500
Heating power (W)	400	400	800	1200
Temperature ( $^{\circ}\text{C}$ )	30 - 80			
Protection class	IP 20			
Sound pressure level (LpAU)***	< 80 dB			
Ultrasonic sound level (LpZ)***	< 110 dB			

\*\* The signal form of the wave results in a factor 4 for the ultrasonic peak max., depending on the modulation of the wave.

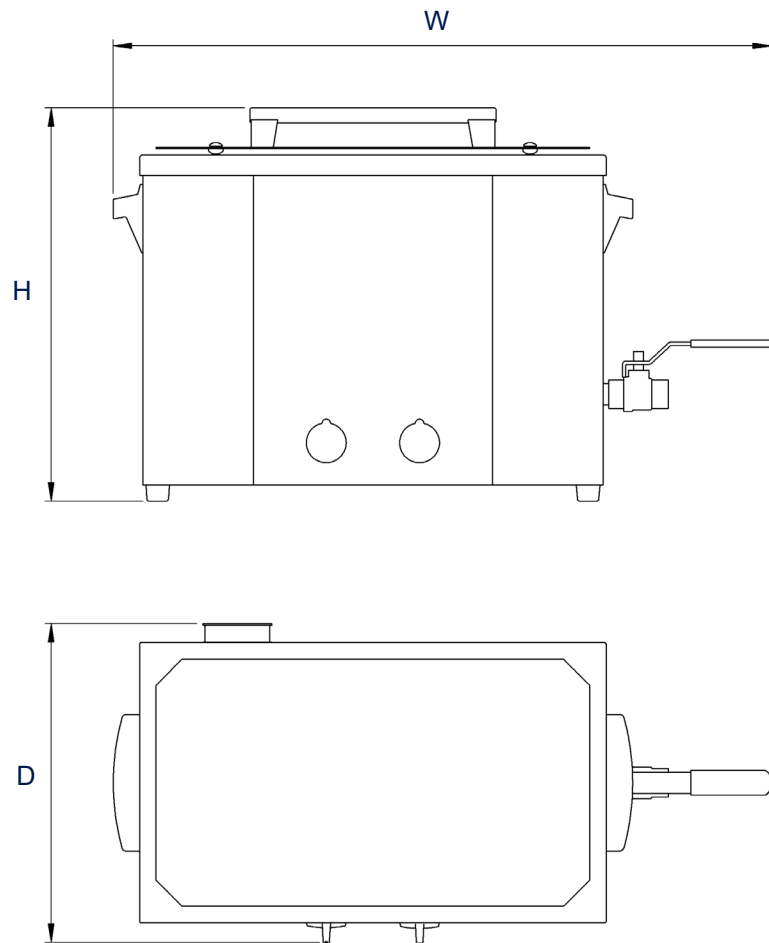
\*\*\* Measured sound pressure level with basket and cover at 1 m distance.

Technical specifications serve as orientation values and are subject to tolerances due to production and manufacturing. Proper operation can only be guaranteed when using original Elma accessories.

## Elmasonic xtra TT

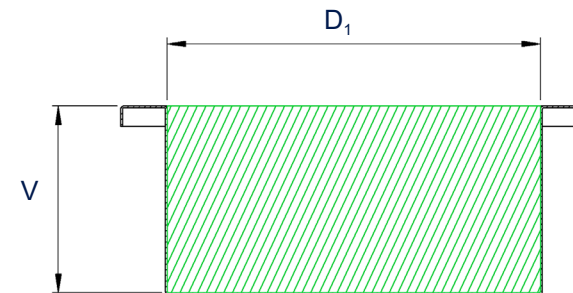
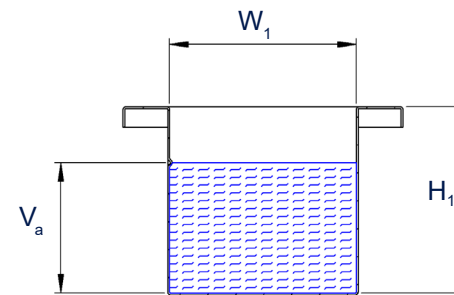
### Dimension definition

#### Unit outer dimensions



#### Tank internal dimensions

$V_a$ : recommended operating capacity of the cleaning tank  
(The actual operating capacity depends on the load.)



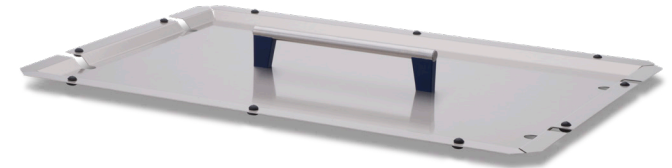
The drawings are meant as a visualization aid and are not true to scale.

Technical specifications serve as orientation values and are subject to tolerances due to production and manufacturing. Proper operation can only be guaranteed when using original Elma accessories.

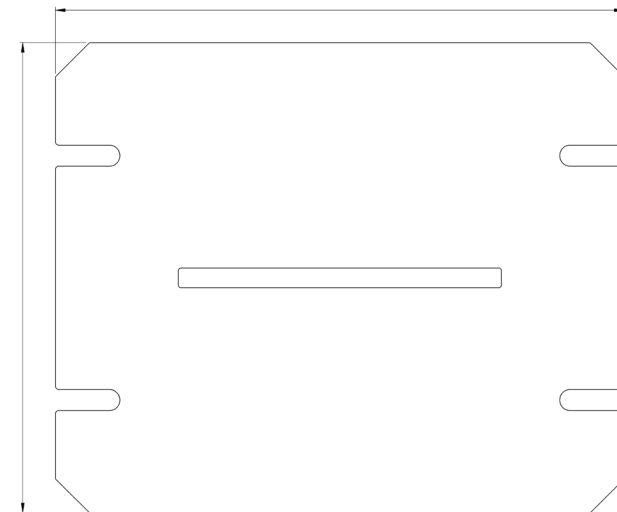
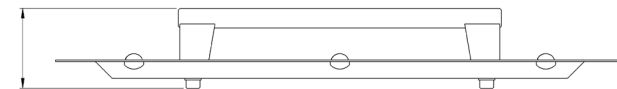
## Elmasonic xtra TT Accessories - Covers

made of stainless steel

- reduce the noise of the ultrasonic cleaning
- save energy and costs by reducing waste heat and collecting / recirculating the water vapour



Elmasonic xtra TT	30	60	120	200
Order number	1076691	1076690	1076900	1076901
List price	45,00 €	63,00 €	76,00 €	85,00 €
External dimensions W / D / H (mm)	290 / 180 / 50	350 / 200 / 50	350 / 290 / 50	370 / 330 / 50



All prices ex works, excluding packaging.

The drawings are meant as a visualization aid and are not true to scale.

Technical specifications serve as orientation values and are subject to tolerances due to production and manufacturing. Proper operation can only be guaranteed when using original Elma Units.

## Elmasonic xtra TT Accessories - Inserts

### Insert cover

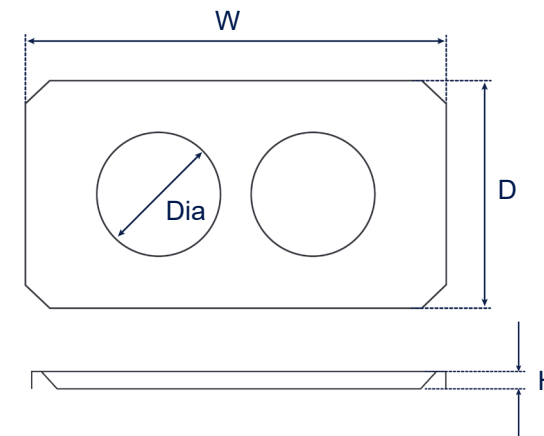
- made of stainless steel
- with 2 rubber rings
- to be placed on the ultrasonic cleaning device
- for 2 glasses or 2 cleaning cups



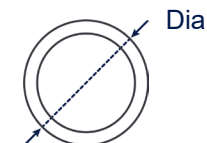
Elmasonic xtra TT	30	60
Order number	1004535	1004536
List price	60,00 €	95,00 €
External dimensions W / D / H (mm)	320 / 210 / 20	380 / 230 / 20
Diameter cover hole Dia (mm)	95	
External Diameter rubber ring Dia <sub>1</sub> (mm)	100	

### Dimension definition

#### Insert cover



#### Rubber ring



All prices ex works, excluding packaging.

The drawings are meant as a visualization aid and are not true to scale.

Technical specifications serve as orientation values and are subject to tolerances due to production and manufacturing. Proper operation can only be guaranteed when using original Elma accessories.

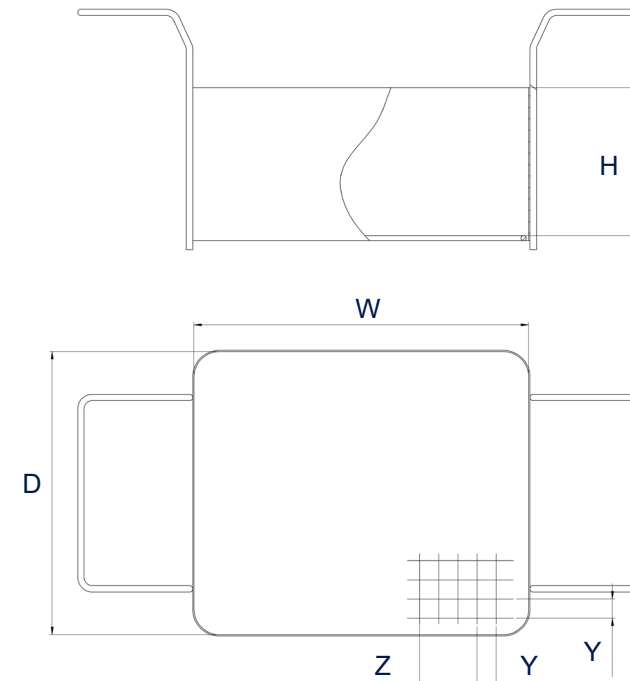
## Elmasonic xtra TT Accessories - Baskets

made of stainless steel



Elmasonic xtra TT	30	60	120	200
Order number	1082417	1082408	1082422	1082392
List price	89,00 €	117,00 €	145,00 €	180,00 €
Basket int. dim. W / D / H (mm)	195 / 110 / 35	255 / 130 / 70	260 / 220 / 110	280 / 245 / 110
Mesh size Y x Z (mm)	7 x 1			
Loading weight max. (kg)	1,0	3,0	7,0	8,0

### Dimension definition



All prices ex works, excluding packaging.

The drawings are meant as a visualization aid and are not true to scale.

Technical specifications serve as orientation values and are subject to tolerances due to production and manufacturing. Proper operation can only be guaranteed when using original Elma Units.